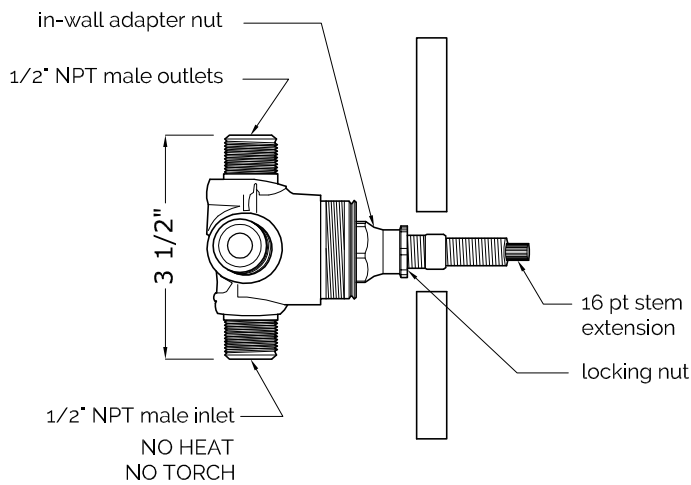
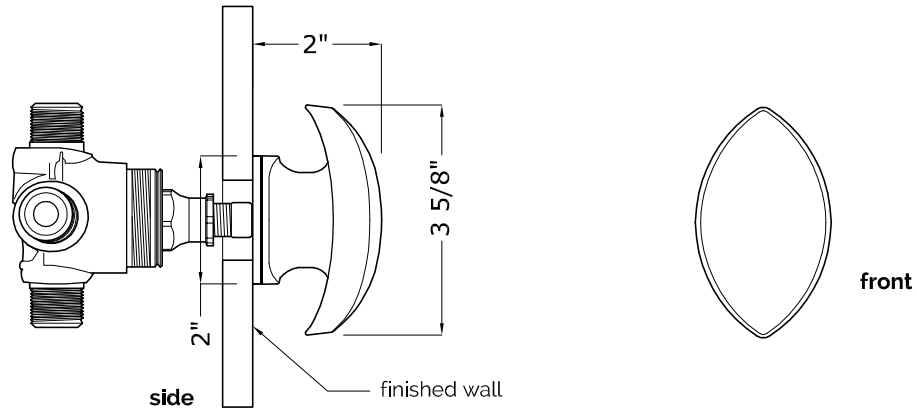


# 3-PORT DIVERTER SET W/ CONTOUR HANDLE

ITEM 00.02.09



**3-PORT DIVERTER VALVE**

## COMPONENTS

- one 1/2" inlet, two 1/2" outlets

## NOTE

- see installation instructions for proper depth of valve to the finished wall

## CODES

- certified to meet or exceed:  
ASME A112.18.1 and CSA B12