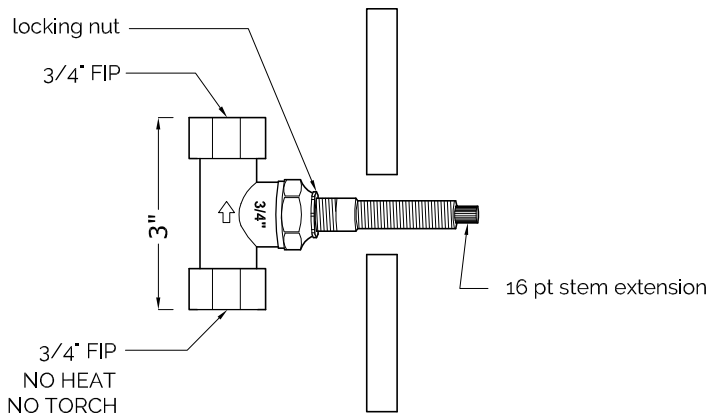
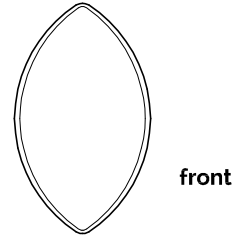
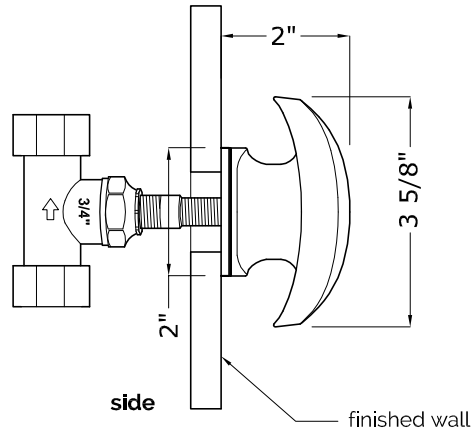


# 3/4" SHUTOFF SET W/ CONTOUR HANDLE

ITEM 00.02.08



## COMPONENTS

- one 3/4" inlet, one 3/4" outlet

## NOTE

- see installation instructions for proper depth of valve to the finished wall

## CODES

- certified to meet or exceed:  
ASME A112.18.1 and CSA B12

SHUTOFF & VOLUME CONTROL VALVE

ALEX MILLER STUDIO