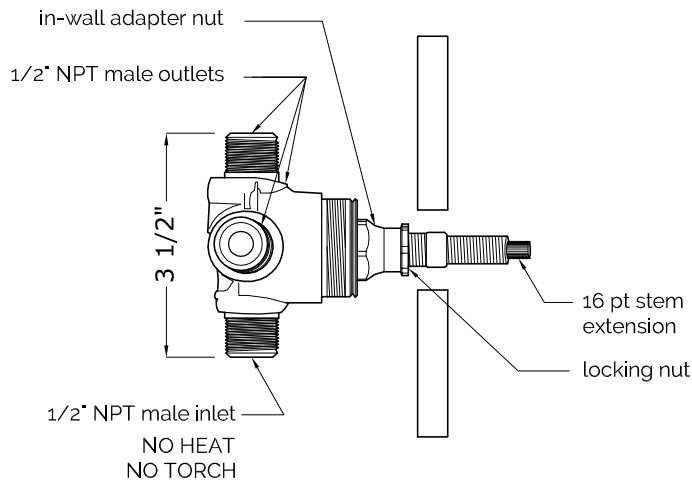
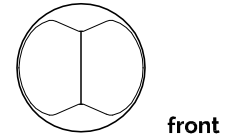
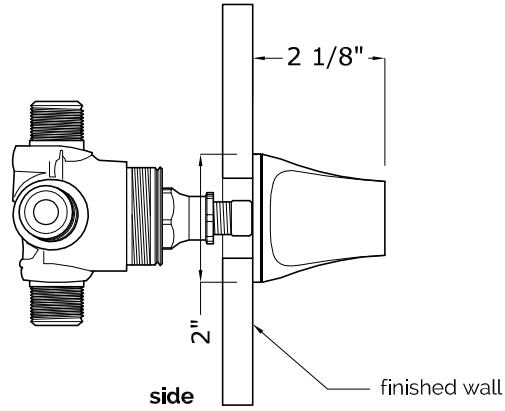


4-PORT DIVERTER SET W/ MINT HANDLE

ITEM 00.04.10



3-PORT DIVERTER VALVE

COMPONENTS

- one 1/2" inlet, three 1/2" outlets

NOTE

- see installation instructions for proper depth of valve to the finished wall

CODES

- certified to meet or exceed:
ASME A112.18.1 and CSA B12