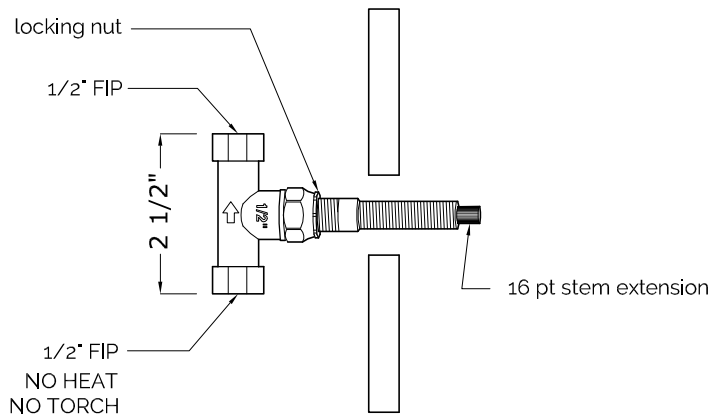
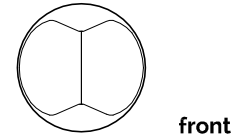
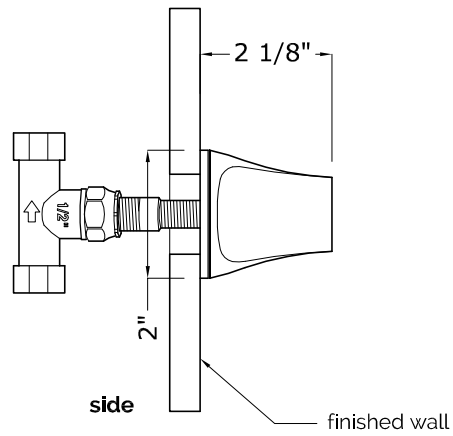


1/2" SHUTOFF SET W/ MINT HANDLE

ITEM 00.04.07



SHUTOFF & VOLUME CONTROL VALVE

COMPONENTS

- one 1/2" inlet, one 1/2" outlet

NOTE

- see installation instructions for proper depth of valve to the finished wall

CODES

- certified to meet or exceed:
ASME A112.18.1 and CSA B12