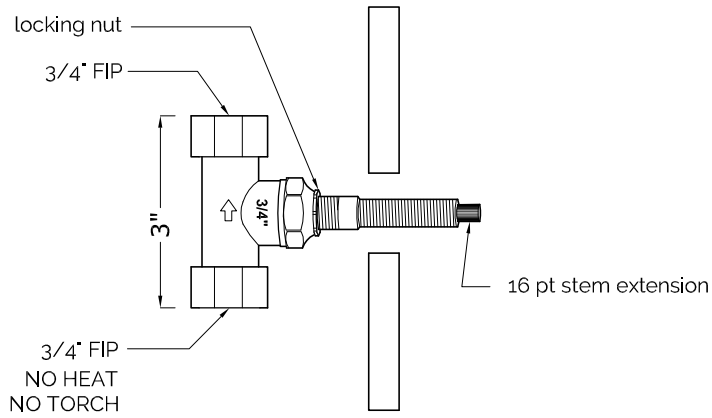
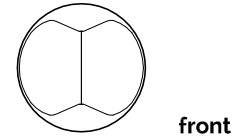
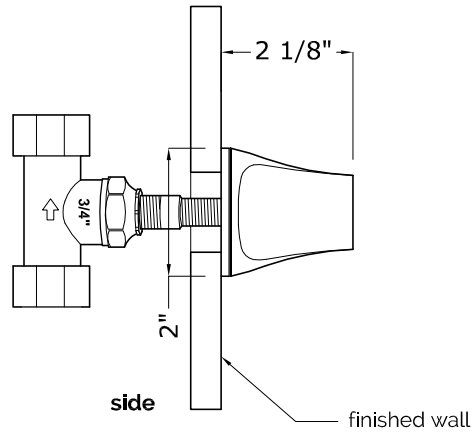


3/4" SHUTOFF SET W/ MINT HANDLE

ITEM 00.04.08



COMPONENTS

- one 3/4" inlet, one 3/4" outlet

NOTE

- see installation instructions for proper depth of valve to the finished wall

CODES

- certified to meet or exceed:
ASME A112.18.1 and CSA B12

SHUTOFF & VOLUME CONTROL VALVE

ALEX MILLER STUDIO