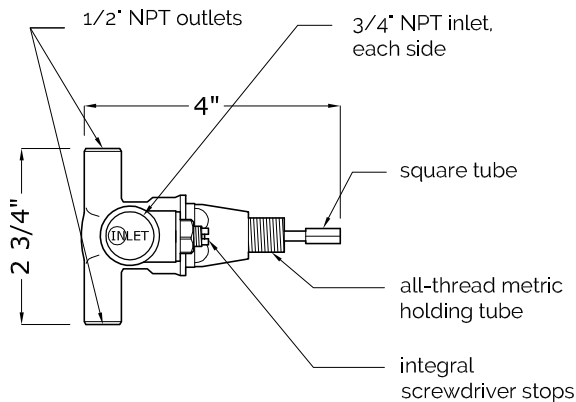
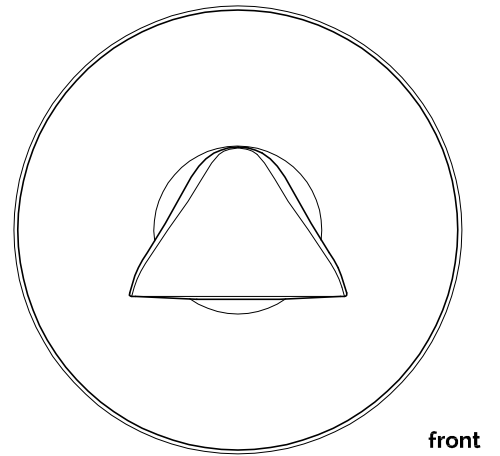
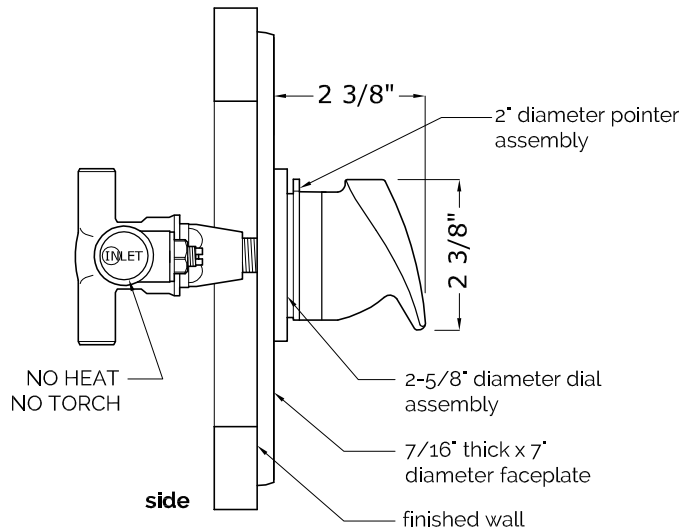


# 1/2" THERMOSTATIC SET W/ SKY HANDLE

ITEM 00.03.05



## 1/2" THERMOSTATIC VALVE

- 14.5 GPM @ 45 PSI (9.5 GPM top exit)

### COMPONENTS

- 1/2" valve included, 3/4" valve also available
- separate shut off valve required to operate system

### NOTE

- see installation instructions for proper depth of valve to the finished wall

### CODES

- certified to meet or exceed:  
ASME A112.18.1 and CSA B12