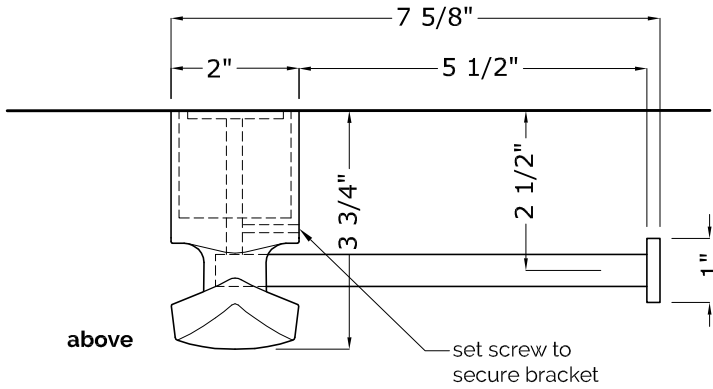
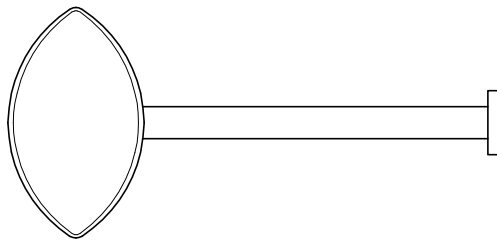


PAPER HOLDER W/ CONTOUR DESIGN

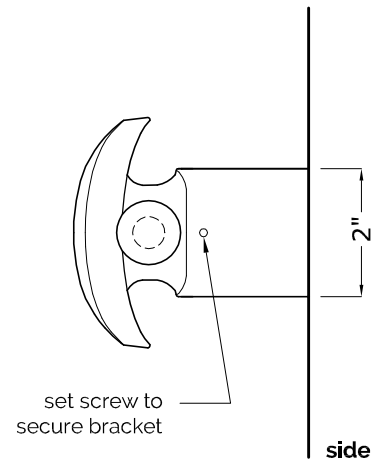
ITEM 00.02.16



above



front



side

COMPONENTS

- mounting bracket supplied