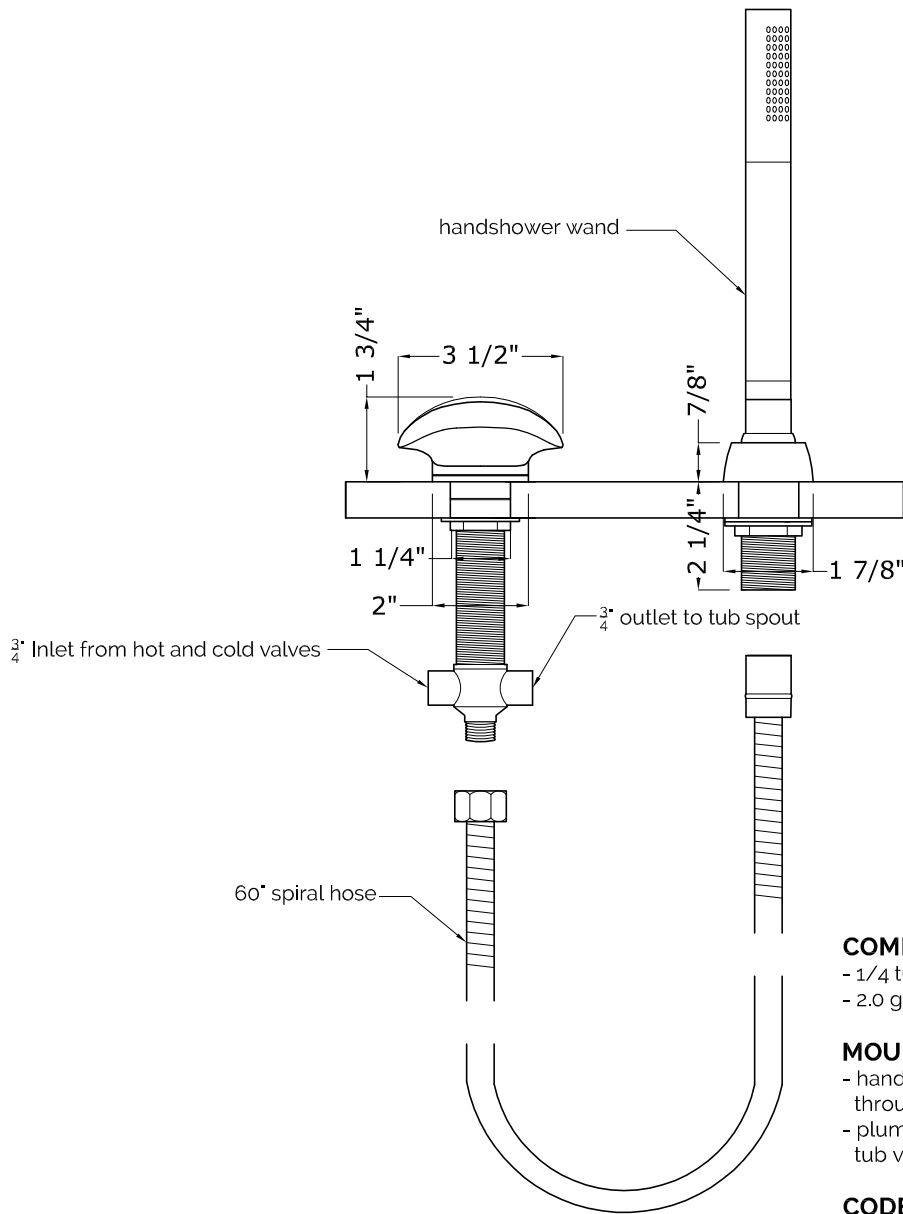


# ROMAN TUB HANDSHOWER W/ AURORA HANDLE

ITEM 00.01.03



## COMPONENTS

- 1/4 turn ceramic disc valve cartridge
- 2.0 gpm flow restrictor installed

## MOUNTING

- handshower and diverter valve install through 1-1/4" holes
- plumber to provide 3/4" supply lines to tub valves

## CODES

- Model meets or exceeds the following:
- ASME A112.18/CSA B125.1
  - NSF/ANSI 61 & NSF/ANSI 372
  - CEC