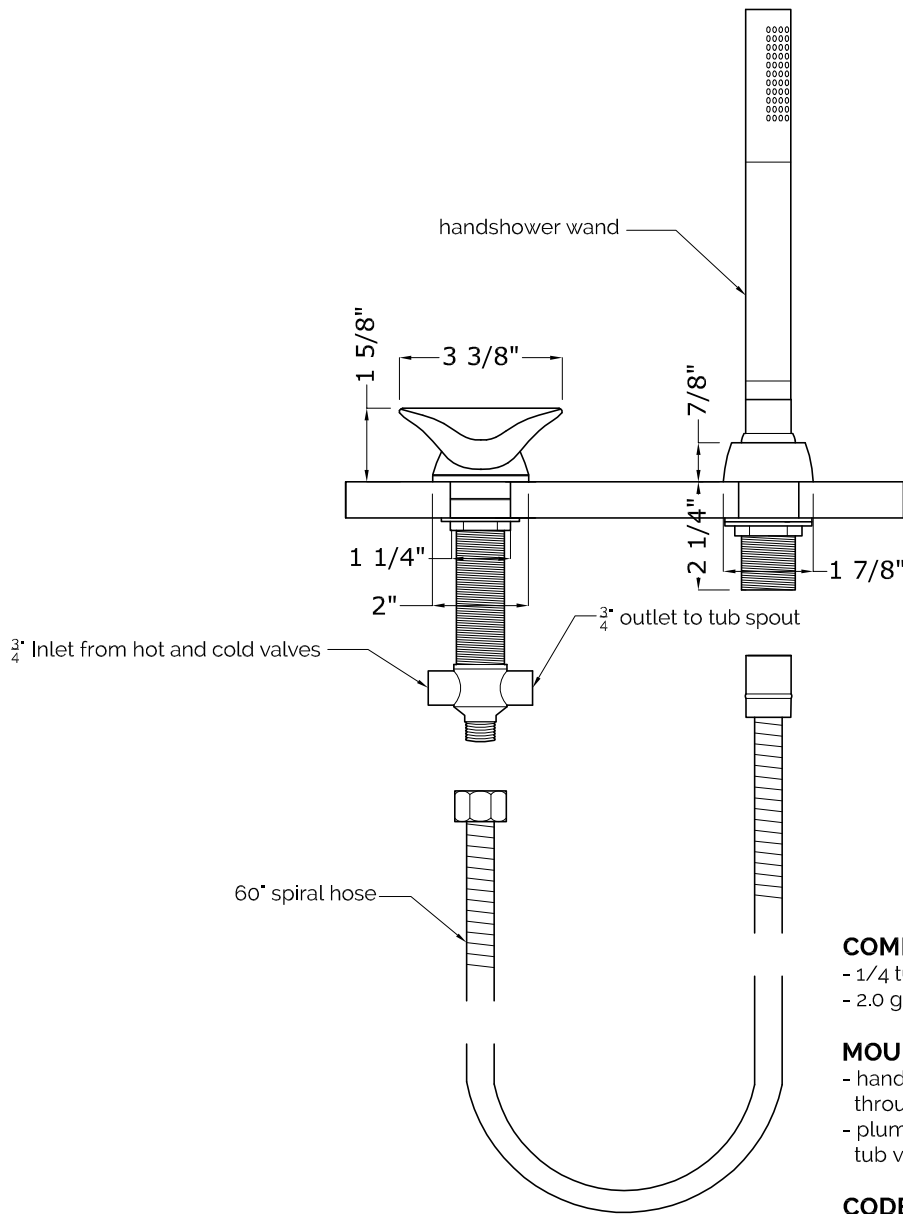


ROMAN TUB HANDSHOWER W/ SKY HANDLE

ITEM 00.03.03



COMPONENTS

- 1/4 turn ceramic disc valve cartridge
- 2.0 gpm flow restrictor installed

MOUNTING

- handshower and diverter valve install through 1-1/4" holes
- plumber to provide 3/4" supply lines to tub valves

CODES

- Model meets or exceeds the following:
- ASME A112.18/CSA B125.1
 - NSF/ANSI 61 & NSF/ANSI 372
 - CEC