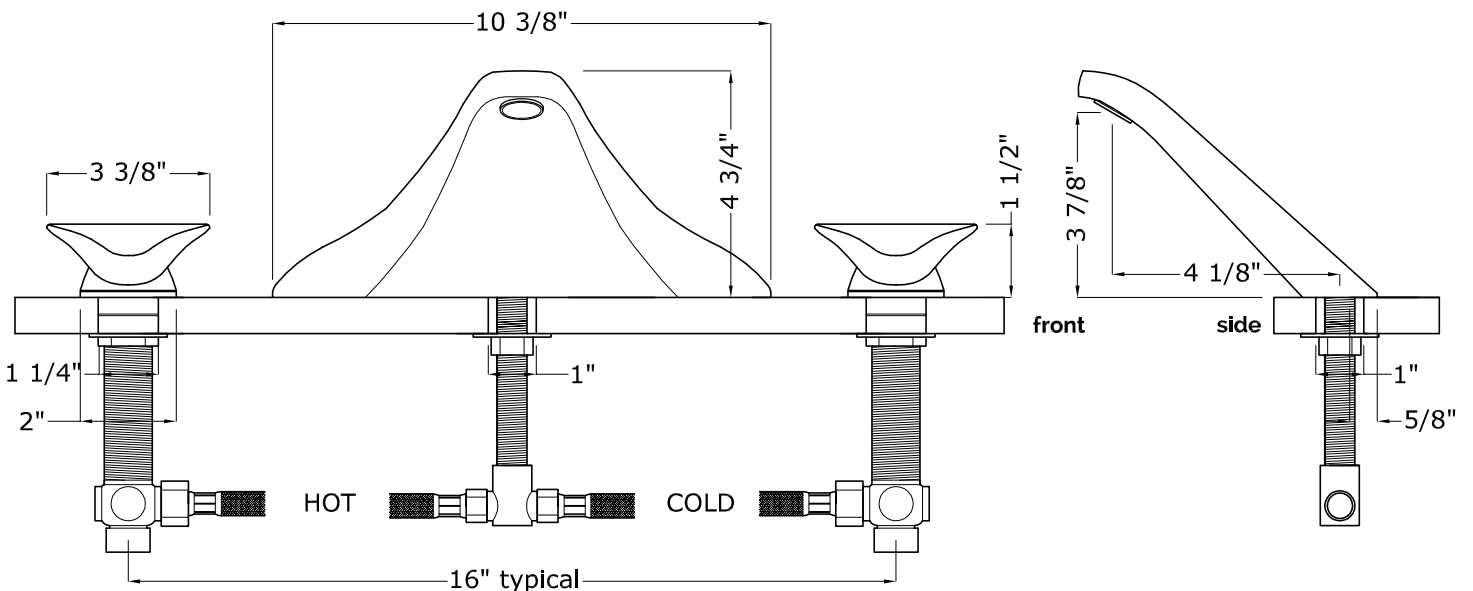
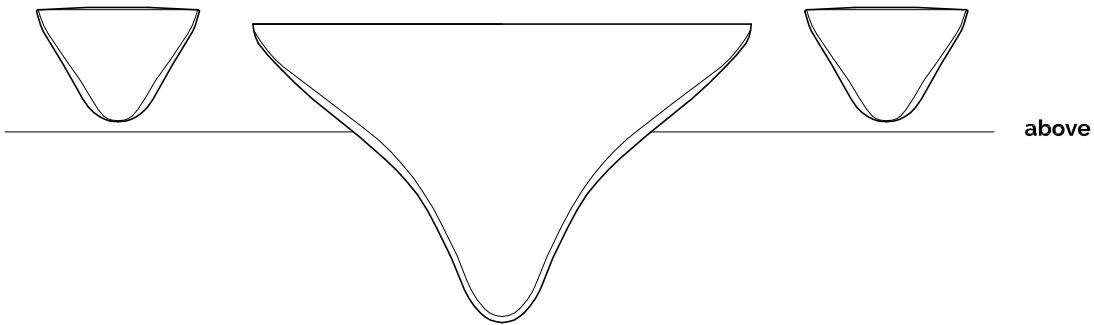


SKY LAVATORY SET W/ SKY HANDLES

ITEM 03.03.01



(14 1/2" minimum recommended)
(alternate handle configurations are also possible)

COMPONENTS

- aerator limited to 1.0 gpm
- 1/4 turn ceramic disc valve cartridge
- comes with soft-touch drain assembly (not shown)

MOUNTING

- spout installs through 1" dia. hole.
- handles install through 1-1/4" dia. holes.

CODES

- Model meets or exceeds the following:
- ASME A112.18/CSA B125.1
 - NSF/ANSI 61 & NSF/ANSI 372
 - CEC

ALEX MILLER STUDIO