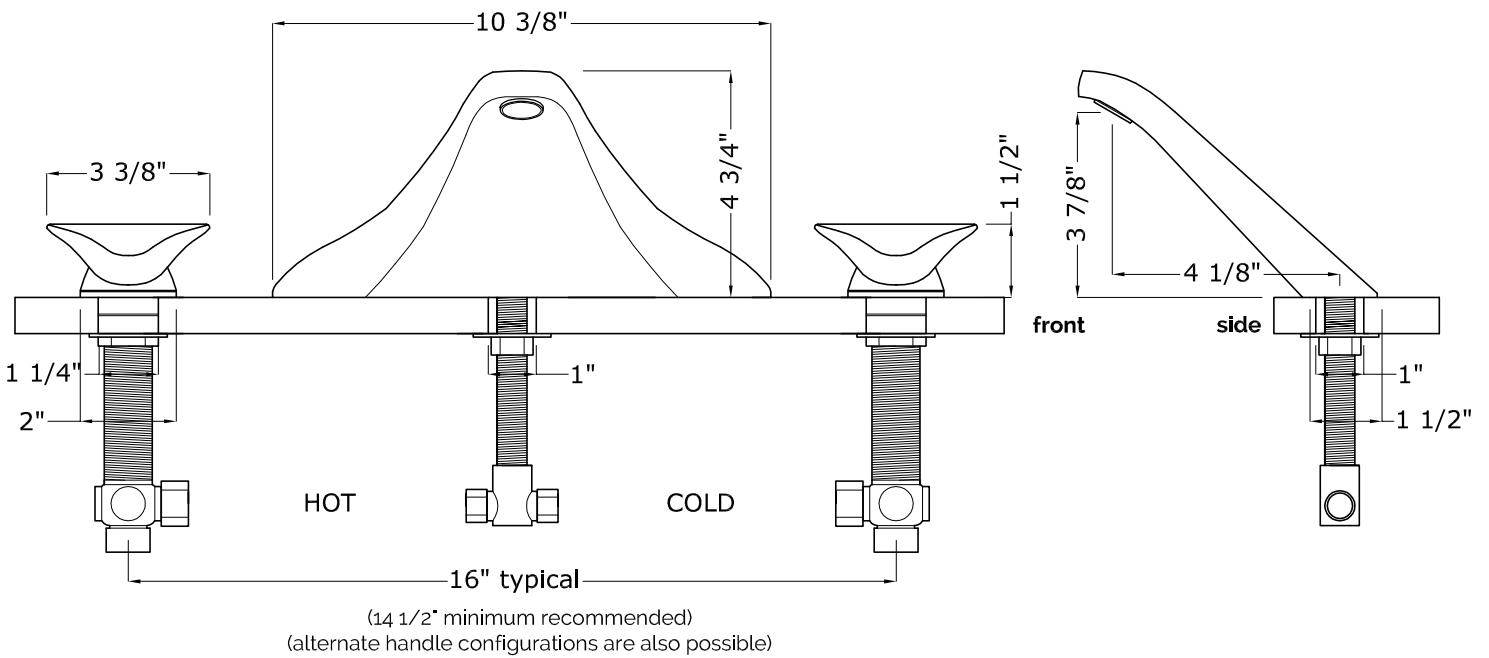
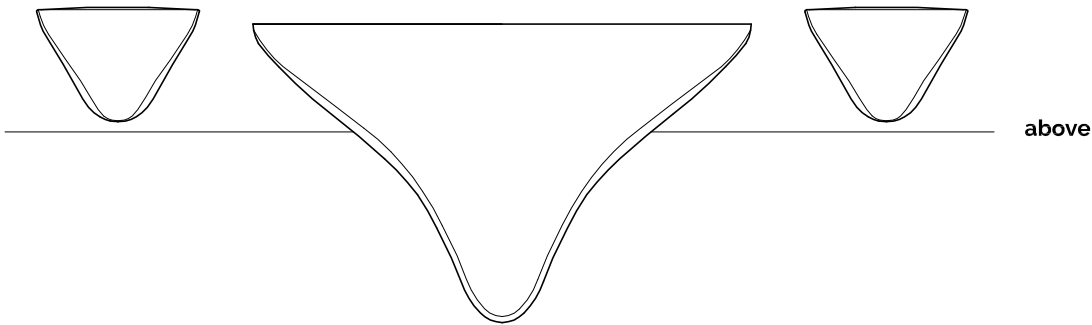


SKY ROMAN TUB SET W/ SKY HANDLES

ITEM 03.03.02



COMPONENTS

- 1/4 turn ceramic disc valve cartridge

MOUNTING

- spout installs through 1" dia. hole.
- handles install through 1-1/4" dia. holes.
- plumber to provide 3/4" supply lines to tub valves

CODES

- Model meets or exceeds the following:
- ASME A112.18/CSA B125.1
 - NSF/ANSI 61 & NSF/ANSI 372
 - CEC

ALEX MILLER STUDIO